

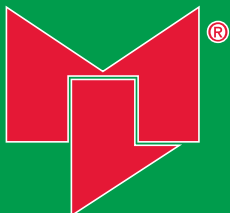
COMPONENTS FOR CONVEYORS

magris



MAKES MOVING

NEWS



2013

magris



magris prides itself more than fifty years of experience as one of the leader manufacturer of hinged slat chains and accessories in steel/stainless steel and thermoplastic resin for conveyor belts used in packaging, bottling, glass, pharmaceutical, chemical, food, mechanical industry, etc.

Nowadays, the magris team continues this activity exporting all over the world through a qualified network of agents and distributors and also a short delivery time is granted through a warehouse containing large quantities of the most required items (up to 1.000 metres each chain type); non-stock and tailor-made orders can be supplied in short term.

The choice of chain materials has been specifically studied by skilled specialists and developed in cooperation with the main stainless steel and thermoplastic manufacturers, as far as the final performance is granted by chain tests which strictly conform to international regulations, e.g. careful inspections carried out during all the stages of production, whose quality is constantly supported by technological researches.

magris production range for conveyor belts includes:

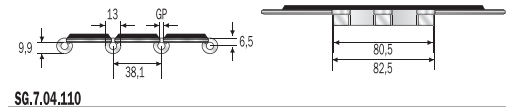
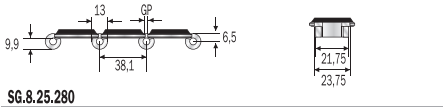
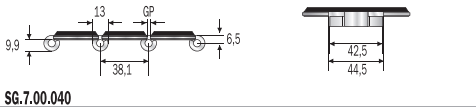
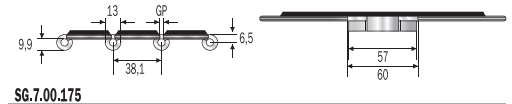
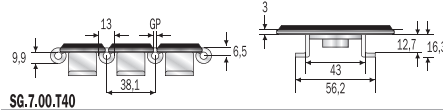
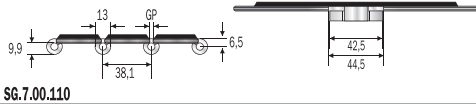
- Steel/stainless steel hinged slat chains;
- Thermoplastic hinged slat chains;
- Sprockets and idlers, curves, guide rails profiles, accessories and components in thermoplastic resin.



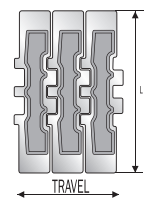
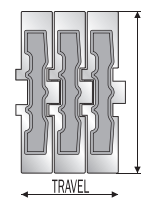
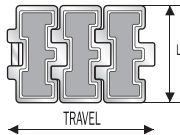
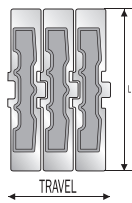
contents	2	Straight running chains with rubber inserts for inclined conveyors SUPER G / DHG - HARD INOX - NEW RUBBER SHAPE VERSION
	3	Sideflexing hinged slat chains with rubber inserts for inclined conveyors FLEX FMS G / NEW FLEX G MAG - HARD INOX - NEW RUBBER SHAPE VERSION
	4	Thermoplastic straight running chains 720 SERIES
	5	Thermoplastic straight running chains 720 PT SERIES WITH TWO POSITIONERS
	6	Thermoplastic straight running chains 730 SERIES
	7	Thermoplastic straight running chains 730 PT SERIES WITH TWO POSITIONERS
	8	Biplanar thermoplastic chains 1500 SERIES
	8	Biplanar thermoplastic chains Accessories CHAIN PEGS
	10	MACHINED SPROCKETS and IDLER WHEELS 720/720PT Series
	11	INJECTED SPROCKETS and IDLER WHEELS 720/720PT Series
	12	MACHINED SPROCKETS and IDLER WHEELS 730/730PT Series
	13	INJECTED SPROCKETS and IDLER WHEELS 730/730PT Series
	14	MACHINED SPROCKETS and IDLER WHEELS 600 Series
	14	MACHINED SPROCKETS and IDLER WHEELS 1400 Series
	15	STRAIGHT GUIDES FOR TAB TYPE CHAINS 780TAB/790TAB/880TAB/881TAB/8811TAB/882TAB/1843TAB/1873TAB/1874TAB series
	15	STRAIGHT GUIDES FOR BEVEL 8° TYPE CHAINS 879/880/881/8811/882 Series
	16	Credits

Straight running chains with rubber inserts for inclined conveyors

NEW RUBBER
SHAPE VERSION



METAL



SUPER G / DHG - HARD INOX ◀ HB OR XHB PINS UPON REQUEST

- Special, chrome-nickel, stainless steel slats, work hardened for high resistance, with a rubber insert.
- Chrome-nickel, austenitic stainless steel guide shoes (18% Chrome - 8% Nickel), (Super-G TAB).
- AISI 431 stainless steel pins, magnetic and work hardened for high resistance.

REDUCED PLATE GAP (1.6)

PRODUCT CODES	
SSHR 812 G K125	internal code SG.8.25.280
SSHR 812 G K325	internal code SG.7.00.040
SSHR 812 T G K325	internal code SG.7.00.140

CHARACTERISTICS				
Slat width (mm/ ")	Hardness (HRC)	GP (mm)	RCC (mm)	Weight (kg/m)
SSHR 812 G K125	31.8 1 ¹ / ₄	30	2.8 75	1.20
SSHR 812 G K325	82.5 3 ¹ / ₄	30	2.8 75	2.80
SSHR 812 T G K325	82.5 3 ¹ / ₄	30	2.8 75	3.40

REDUCED PLATE GAP (1.6)

PRODUCT CODES	
SSH 8127 G K750	internal code SG.7.00.175

CHARACTERISTICS				
Slat width (mm/ ")	Hardness (HRC)	GP (mm)	RCC (mm)	Weight (kg/m)
SSH 8127 G K750	190.5 7 ¹ / ₂	30	1.6 150	5.35

PRODUCT CODES	
SSH 812 G K450	internal code SG.7.00.080
SSH 812 G K600	internal code SG.7.00.100
SSH 812 G K750	internal code SG.7.00.110

CHARACTERISTICS				
Slat width (mm/ ")	Hardness (HRC)	GP (mm)	RCC (mm)	Weight (kg/m)
SSH 812 G K450	114.3 4 ¹ / ₂	30	1.6 150	3.50
SSH 812 G K600	152.4 6	30	1.6 150	4.40
SSH 812 G K750	190.5 7 ¹ / ₂	30	1.6 150	5.30

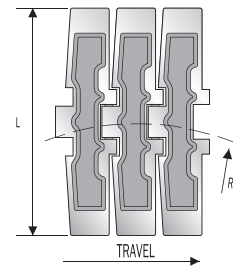
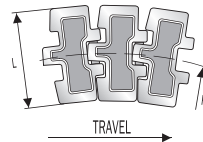
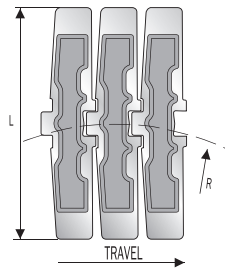
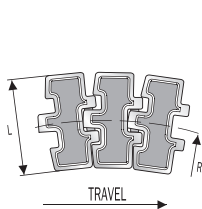
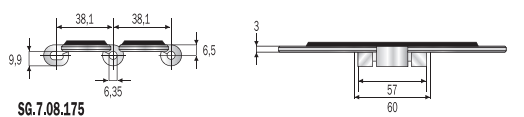
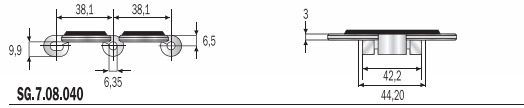
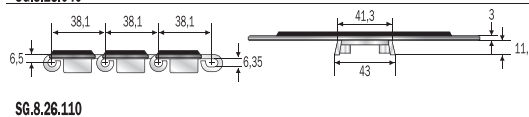
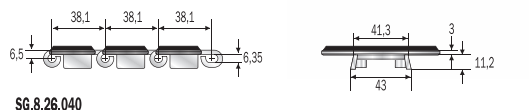
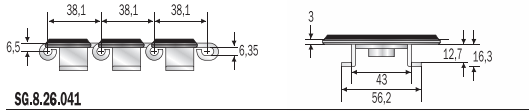
REDUCED PLATE GAP (1.6)

PRODUCT CODES	
SSH 802 G K750	internal code SG.7.04.110

CHARACTERISTICS				
Slat width (mm/ ")	Hardness (HRC)	GP (mm)	RCC (mm)	Weight (kg/m)
SSH 802 G K750	190.5 7 ¹ / ₂	30	1.6 150	6.20

Standard shipping lengths: 80 pitches = 10 feet = 3,048 metres.

Sideflexing hinged slat chains with rubber inserts for inclined conveyors



METAL

FLEX FMS G / NEW FLEX G MAG - HARD INOX

◀ HB OR XHB PINS UPON REQUEST

- Special, chrome-nickel, stainless steel slats, work hardened for high resistance, with a rubber insert.
- Chrome-nickel, austenitic stainless steel guide shoes (18% Chrome - 8% Nickel), (Flex RXMS - G).
- Special, stainless steel pins, 400 series - magnetic - work hardened for high resistance.

PRODUCT CODES

SSH 8811 G K325	internal code SG.8.26.040
SSH 8811 G K450	internal code SG.8.26.080
SSH 8811 G K750	internal code SG.8.26.110
SSH 8811 T G K325	internal code SG.8.26.041
SSH 8811 T G K450	internal code SG.8.26.081
SSH 8811 T G K750	internal code SG.8.26.111

CHARACTERISTICS

	Slat width (mm/ ")	Min. sideflexing radius (mm)	Weight (kg/m)
SSH 8811 G K325	82.5 3 1/4	500	3.10
SSH 8811 G K450	114.3 4 1/2	500	3.80
SSH 8811 G K750	190.5 7 1/2	500	5.50
SSH 8811 T G K325	82.5 3 1/4	500	3.30
SSH 8811 T G K450	114.3 4 1/2	500	4.00
SSH 8811 T G K750	190.5 7 1/2	500	5.70

PRODUCT CODES

SSH 8811 M G K325	internal code SG.7.08.040
SSH 8811 M G K750	internal code SG.7.08.110

CHARACTERISTICS

	Slat width (mm/ ")	Min. sideflexing radius (mm)	Weight (kg/m)
SSH 8811 M G K325	82.5 3 1/4	500	2.70
SSH 8811 M G K750	190.5 7 1/2	500	5.10

PRODUCT CODES

SSH 8817 M G K750	internal code SG.7.08.175
-------------------	---------------------------

CHARACTERISTICS

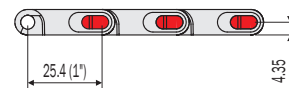
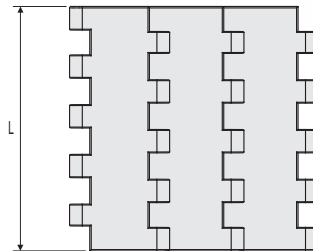
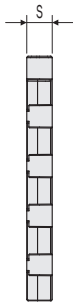
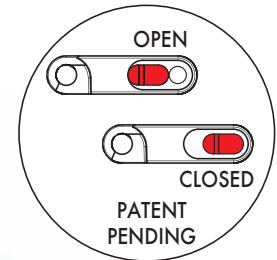
	Slat width (mm/ ")	Min. sideflexing radius (mm)	Weight (kg/m)
SSH 8817 M G K750	190.5 7 1/2	750	5.14

Standard shipping lengths: 80 pitches = 10 feet = 3,048 metres.

Thermoplastic straight running conveyor belts

720 SERIES

SAME DECK THICKNESS
AS THE SIDEFLEXING
CHAINS BELT 780 SERIES



PLASTIC

LFA 720

LOW FRICTION ACETAL RESIN

- Plates in self-lubricating low friction acetal resin, light brown or blue-coloured.
- Pins material: Pbt.

PRODUCT CODES

LFA 720 K325	internal code 9.10.040
LFA 720 K330	internal code 9.10.042
LFA 720 K335	internal code 9.10.050
LFA 720 K450	internal code 9.10.080

CHARACTERISTICS

	Width L (mm)	Thickness S (mm)	Weight kg/m
LFA 720 K325	82.5	8.7	0.63
LFA 720 K330	83.8	8.7	0.65
LFA 720 K335	85.0	8.7	0.66
LFA 720 K450	114.3	8.7	0.87

- Standard shipping lengths = 120 pitches = 10 feet = 3,048 metres.

SP 720

SUPER PERFORMANCE ACETAL RESIN

- Plates in self-lubricating very low friction acetal resin, dark grey-coloured.
- Pins material: Pbt.

PRODUCT CODES

SP 720 K325	internal code 9.20.040
SP 720 K330	internal code 9.20.042
SP 720 K335	internal code 9.20.050
SP 720 K450	internal code 9.20.080

CHARACTERISTICS

	Width L (mm)	Thickness S (mm)	Weight kg/m
SP 720 K325	82.5	8.7	0.63
SP 720 K330	83.8	8.7	0.65
SP 720 K335	85.0	8.7	0.66
SP 720 K450	114.3	8.7	0.87

- Standard shipping lengths = 120 pitches = 10 feet = 3,048 metres.

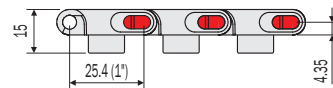
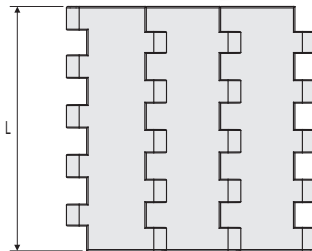
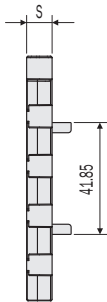
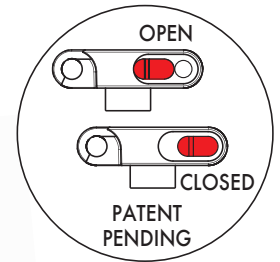
Available also in:

- WRX material black-colour (PA)
- PBT material green-colour (Polyester)
- AK material dark grey or (POM with aramidic fibers) yellow-colour
- WAF material white-colour (POM)
- PPB material white-colour (PP)

Thermoplastic straight running conveyor belts

720 PT SERIES WITH TWO POSITIONERS

SAME DECK THICKNESS
AS THE SIDEFLEXING
CHAINS BELT 780 SERIES



PLASTIC

LFA 720 PT

LOW FRICTION ACETAL RESIN

- Plates in self-lubricating low friction acetal resin, light brown or blue-coloured.
- Pins material: Pbt.

PRODUCT CODES

LFA 720 PT K325	internal code 9.10.040PT
LFA 720 PT K330	internal code 9.10.042PT
LFA 720 PT K335	internal code 9.10.050PT
LFA 720 PT K450	internal code 9.10.080PT

CHARACTERISTICS

	Width L (mm)	Thickness S (mm)	Weight kg/m
LFA 720 PT K325	82.5	8.7	0.64
LFA 720 PT K330	83.8	8.7	0.66
LFA 720 PT K335	85.0	8.7	0.67
LFA 720 PT K450	114.5	8.7	0.88

- Standard shipping lengths = 120 pitches = 10 feet = 3,048 metres.

SP 720 PT

SUPER PERFORMANCE ACETAL RESIN

- Plates in self-lubricating very low friction acetal resin, dark grey-coloured.
- Pins material: Pbt.

PRODUCT CODES

SP 720 PT K325	internal code 9.20.040PT
SP 720 PT K330	internal code 9.20.042PT
SP 720 PT K335	internal code 9.20.050PT
SP 720 PT K450	internal code 9.20.080PT

CHARACTERISTICS

	Width L (mm)	Thickness S (mm)	Weight kg/m
SP 720 PT K325	82.5	8.7	0.64
SP 720 PT K330	83.8	8.7	0.66
SP 720 PT K335	85.0	8.7	0.67
SP 720 PT K450	114.5	8.7	0.88

- Standard shipping lengths = 120 pitches = 10 feet = 3,048 metres.

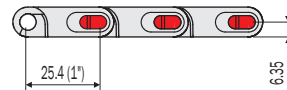
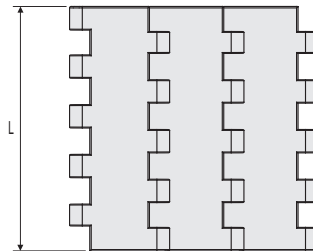
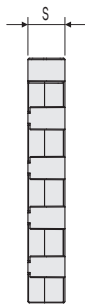
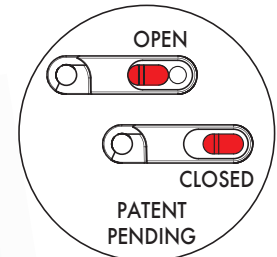
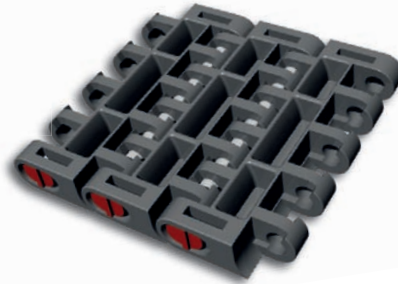
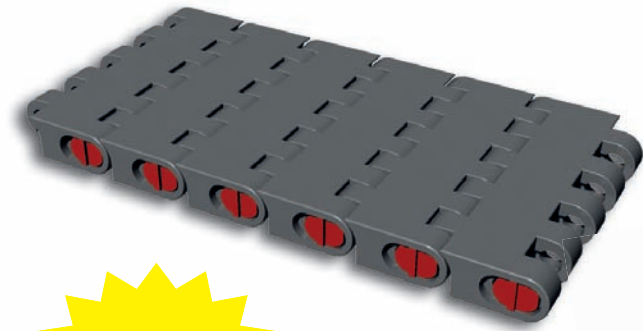
Available also in:

- WRX material black-colour (PA)
- PBT material green-colour (Polyester)
- AK material dark grey or (POM with aramidic fibers) yellow-colour
- WAF material white-colour (POM)
- PPB material white-colour (PP)

Thermoplastic straight running conveyor belts

730 SERIES

SAME DECK THICKNESS
AS THE SIDEFLEXING
CHAINS BELT 790 SERIES



PLASTIC

LFA 730

LOW FRICTION ACETAL RESIN

- Plates in self-lubricating low friction acetal resin, light brown or blue-coloured.
- Pins material: Pbt.

PRODUCT CODES	
LFA 730 K325	internal code 9.11.040
LFA 730 K330	internal code 9.11.042
LFA 730 K335	internal code 9.11.050
LFA 730 K450	internal code 9.11.080

CHARACTERISTICS			
	Width L (mm)	Thickness S (mm)	Weight kg/m
LFA 730 K325	82.5	12.7	1.18
LFA 730 K330	83.8	12.7	1.20
LFA 730 K335	85.0	12.7	1.22
LFA 730 K450	114.5	12.7	1.64

- Standard shipping lengths = 120 pitches = 10 feet = 3,048 metres.

SP 730

SUPER PERFORMANCE ACETAL RESIN

- Plates in self-lubricating very low friction acetal resin, dark grey-coloured.
- Pins material: Pbt.

PRODUCT CODES	
SP 730 K325	internal code 9.21.040
SP 730 K330	internal code 9.21.042
SP 730 K335	internal code 9.21.050
SP 730 K450	internal code 9.21.080

CHARACTERISTICS			
	Width L (mm)	Thickness S (mm)	Weight kg/m
SP 730 K325	82.5	12.7	1.18
SP 730 K330	83.8	12.7	1.20
SP 730 K335	85.0	12.7	1.22
SP 730 K450	114.5	12.7	1.64

- Standard shipping lengths = 120 pitches = 10 feet = 3,048 metres.

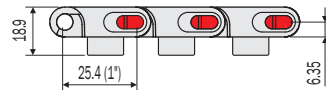
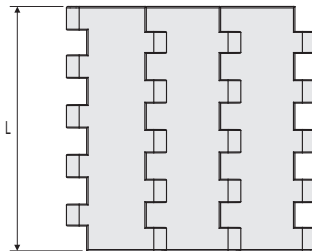
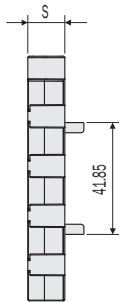
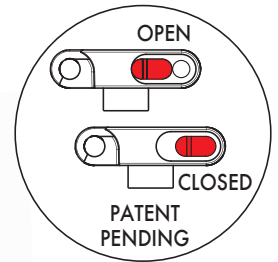
Available also in:

- WRX material black-colour (PA)
- PBT material green-colour (Polyester)
- AK material dark grey or (POM with aramidic fibers) yellow-colour
- WAF material white-colour (POM)
- PPB material white-colour (PP)

Thermoplastic straight running conveyor belts

730 PT SERIES WITH TWO POSITIONERS

SAME DECK THICKNESS
AS THE SIDEFLEXING
CHAINS BELT 790 SERIES



PLASTIC

LFA 730 PT

LOW FRICTION ACETAL RESIN

- Plates in self-lubricating low friction acetal resin, light brown or blue-coloured.
- Pins material: Pbt.

PRODUCT CODES

LFA 730 PT K325	internal code 9.11.040PT
LFA 730 PT K330	internal code 9.11.042PT
LFA 730 PT K335	internal code 9.11.050PT
LFA 730 PT K450	internal code 9.11.080PT

CHARACTERISTICS

	Width L (mm)	Thickness S (mm)	Weight kg/m
LFA 730 PT K325	82.5	12.7	1.19
LFA 730 PT K330	83.8	12.7	1.21
LFA 730 PT K335	85.0	12.7	1.23
LFA 730 PT K450	114.5	12.7	1.65

- Standard shipping lengths = 120 pitches = 10 feet = 3,048 metres.

SP 730 PT

SUPER PERFORMANCE ACETAL RESIN

- Plates in self-lubricating very low friction acetal resin, dark grey-coloured.
- Pins material: Pbt.

PRODUCT CODES

SP 730 PT K325	internal code 9.21.040PT
SP 730 PT K330	internal code 9.21.042PT
SP 730 PT K335	internal code 9.21.050PT
SP 730 PT K450	internal code 9.21.080PT

CHARACTERISTICS

	Width L (mm)	Thickness S (mm)	Weight kg/m
SP 730 PT K325	82.5	12.7	1.19
SP 730 PT K330	83.8	12.7	1.21
SP 730 PT K335	85.0	12.7	1.23
SP 730 PT K450	114.5	12.7	1.65

- Standard shipping lengths = 120 pitches = 10 feet = 3,048 metres.

Available also in:

- WRX material black-colour (PA)
- PBT material green-colour (Polyester)
- AK material dark grey or (POM with aramidic fibers)
yellow-colour
- WAF material white-colour (POM)
- PPB material white-colour (PP)

Biplanar thermoplastic chains

1500 SERIES

WLF 1500

LOW FRICTION ACETAL RESIN

- Plates in self-lubricating low friction acetal resin, white-coloured.
- Pins in austenitic chrome-nickel stainless steel, work hardened for high resistance.

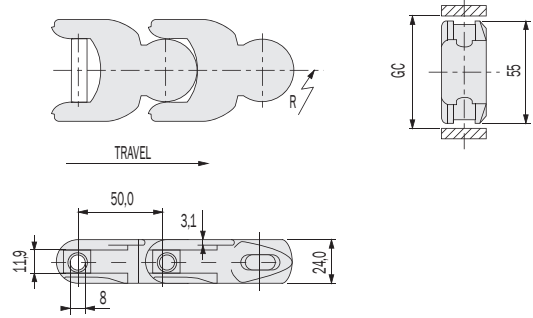
PRODUCT CODES

WLF 1500 internal code 1500.WA

CHARACTERISTICS

	Radius R (mm)	GC st. (mm)	GC sid. (mm)	Weight kg/m
WLF 1500	150	58	58	1.37

- Standard shipping lengths = 122 pitches = 20 feet = 6,10 metres.



PLASTIC

Biplanar thermoplastic chains Accessories

CHAIN PEGS

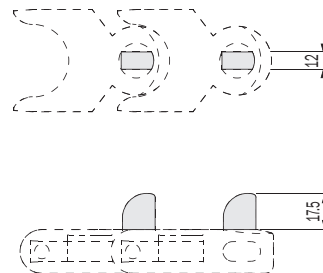
Available for
1500, 1700, 1700TAB,
1701, 1701TAB, 1702, 1703 series

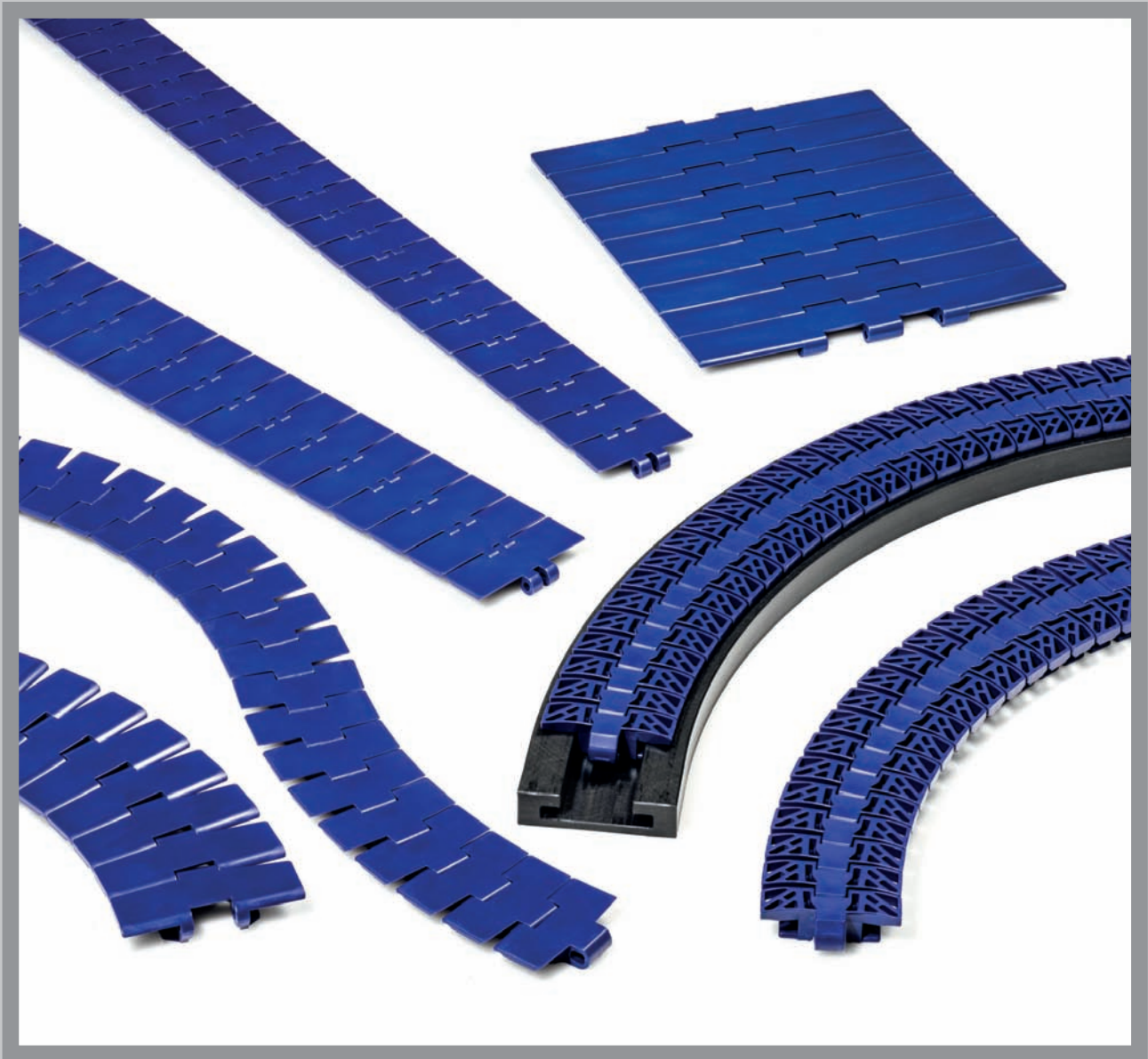
- Pegs in self-lubricating low friction acetal resin or Polypropylene, white-coloured.

PRODUCT CODES

Code biplanar thermoplastic chains + M Ex: 1702.WA.M

- When ordering, please state the required distance between the pegs.





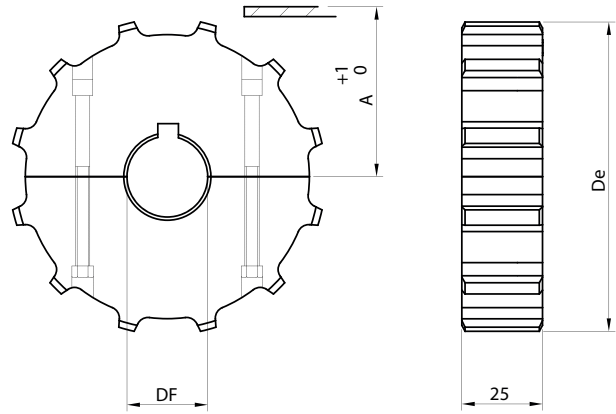
FOOD INDUSTRIES

FDA APPROVED

Split sprockets
 material: polyamide PA white - screw in stainless steel
 UNI 6604-69 key seat

CODE	Z	De	Dp	A	Df
S11E1218	12	98,00	98,14	44,7	18*
S11E1225					25
S11E1230					30
S11E1235					35
S11E1240					40
S11E1418	14	114,00	114,18	52,7	18*
S11E1425					25
S11E1430					30
S11E1435					35
S11E1440					40
S11E1618	16	130,00	130,20	60,7	18*
S11E1625					25
S11E1630					30
S11E1635					35
S11E1640					40
S11E1818	18	146,00	146,27	68,8	18*
S11E1825					25
S11E1830					30
S11E1835					35
S11E1840					40
S11E2018	20	162,00	162,37	76,8	18*
S11E2025					25
S11E2030					30
S11E2035					35
S11E2040					40

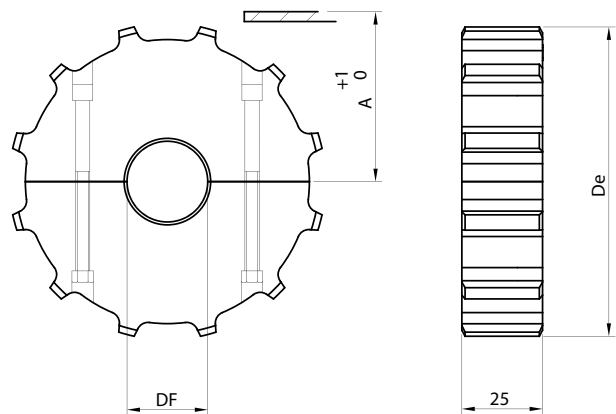
* plain bore



Split idler wheels
 material: polyamide PA white - screw in stainless steel

CODE	Z	De	Dp	A	Df
R11E1218	12	98,00	98,14	44,7	18*
R11E1225					25
R11E1230					30
R11E1235					35
R11E1240					40
R11E1418	14	114,00	114,18	52,7	18*
R11E1425					25
R11E1430					30
R11E1435					35
R11E1440					40
R11E1618	16	130,00	130,20	60,7	18*
R11E1625					25
R11E1630					30
R11E1635					35
R11E1640					40
R11E1818	18	146,00	146,27	68,8	18*
R11E1825					25
R11E1830					30
R11E1835					35
R11E1840					40
R11E2018	20	162,00	162,37	76,8	18*
R11E2025					25
R11E2030					30
R11E2035					35
R11E2040					40

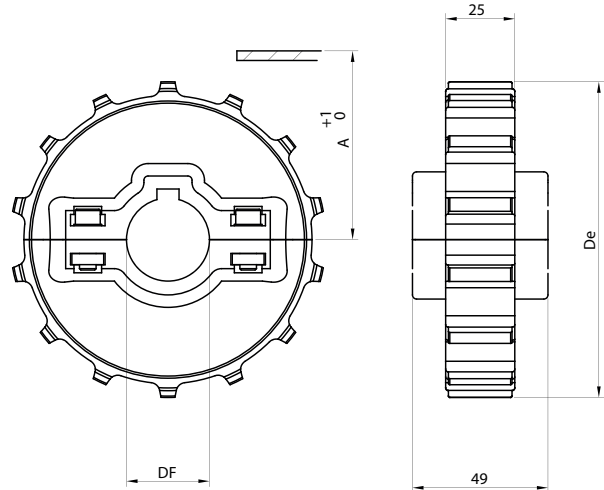
* plain bore



INJECTED SPROCKETS and IDLER WHEELS
720/720PT Series

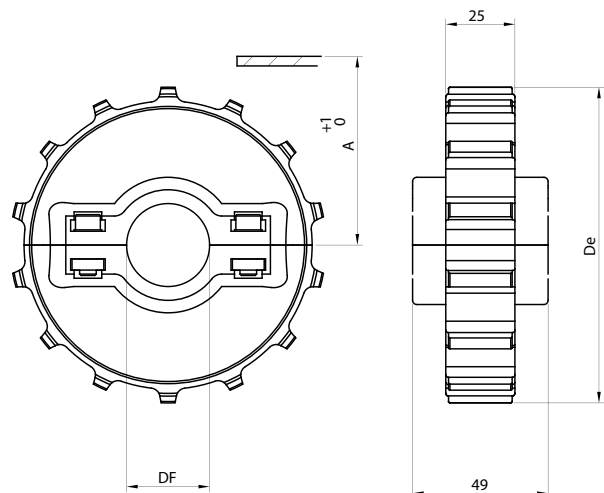
Split sprockets
 material: reinforced polyamide - screw in stainless steel
 UNI 6604-69 key seat

CODE	Z	De	Dp	A	Df
S10E1430	14	114,00	114,18	52,70	30
S10E1435					35
S10E1440					40
S10E1630	16	130,00	130,20	60,70	30
S10E1635					35
S10E1640					40
S10E1645					45
S10E1830	18	146,00	146,30	68,80	30
S10E1835					35
S10E1840					40
S10E1845					45
S10E2030	20	162,00	162,40	76,80	30
S10E2035					35
S10E2040					40
S10E2045					45



Split idler wheels
 material: reinforced polyamide - screw in stainless steel

CODE	Z	De	Dp	A	Df
R10E1430	14	114,00	114,18	52,70	30
R10E1435					35
R10E1440					40
R10E1630	16	130,00	130,20	60,70	30
R10E1635					35
R10E1640					40
R10E1645					45
R10E1830	18	146,00	146,30	68,80	30
R10E1835					35
R10E1840					40
R10E1845					45
R10E2030	20	162,00	162,40	76,80	30
R10E2035					35
R10E2040					40
R10E2045					45

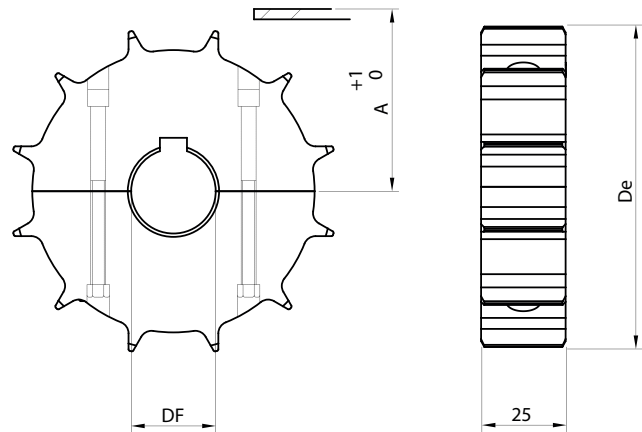


MACHINED SPROCKETS and IDLER WHEELS 730/730PT Series

Split sprockets

material: polyamide PA white - screw in stainless steel
UNI 6604-69 key seat

CODE	Z	De	Dp	A	Df
S11H1218	12	97,90	98,14	42,7	18*
S11H1225					25
S11H1230					30
S11H1235					35
S11H1240					40
S11H1318	13	105,54	106,14	46,7	18*
S11H1325					25
S11H1330					30
S11H1335					35
S11H1340					40
S11H1418	14	114,00	114,18	50,7	18*
S11H1425					25
S11H1430					30
S11H1435					35
S11H1440					40
S11H1518	15	112,60	122,2	54,6	18*
S11H1525					25
S11H1530					30
S11H1535					35
S11H1540					40
S11H1618	16	130,00	130,2	58,7	18*
S11H1625					25
S11H1630					30
S11H1635					35
S11H1640					40
S11H1818	18	146,00	146,28	66,7	18*
S11H1825					25
S11H1830					30
S11H1835					35
S11H1840					40



S11H2018	20	162,00	162,37	74,8	18*
S11H2025					25
S11H2030					30
S11H2035					35
S11H2040					40
S11H2118	21	171,00	170,42	78,9	18*
S11H2125					25
S11H2130					30
S11H2135					35
S11H2140					40

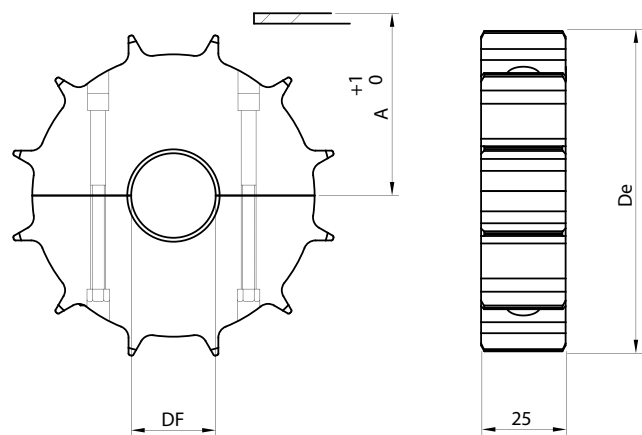
* plain bore

ACCESSORIES

Split idler wheels

material: polyamide PA white - screw in stainless steel

CODE	Z	De	Dp	A	Df
R11H1218	12	97,90	98,14	42,7	18*
R11H1225					25
R11H1230					30
R11H1235					35
R11H1240					40
R11H1318	13	105,54	106,14	46,7	18*
R11H1325					25
R11H1330					30
R11H1335					35
R11H1340					40
R11H1418	14	114,00	114,18	50,7	18*
R11H1425					25
R11H1430					30
R11H1435					35
R11H1440					40
R11H1518	15	112,60	122,2	54,6	18*
R11H1525					25
R11H1530					30
R11H1535					35
R11H1540					40
R11H1618	16	130,00	130,2	58,7	18*
R11H1625					25
R11H1630					30
R11H1635					35
R11H1640					40
R11H1818	18	146,00	146,28	66,7	18*
R11H1825					25
R11H1830					30
R11H1835					35
R11H1840					40



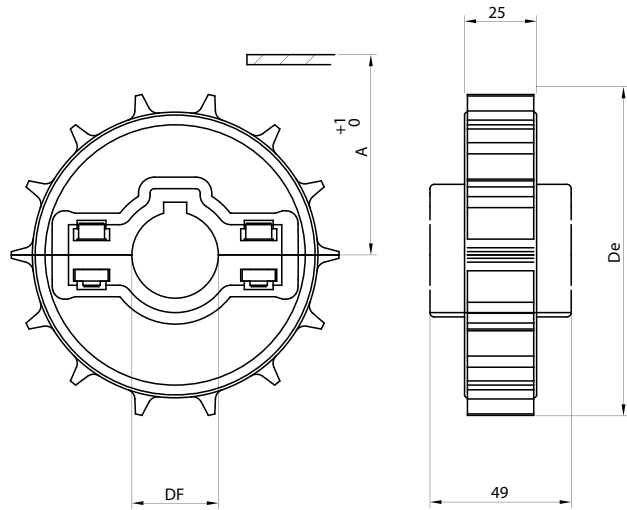
R11H2018	20	162,00	162,37	74,8	18*
R11H2025					25
R11H2030					30
R11H2035					35
R11H2040					40
R11H2118	21	171,00	170,42	78,9	18*
R11H2125					25
R11H2130					30
R11H2135					35
R11H2140					40

* plain bore

INJECTED SPROCKETS and IDLER WHEELS
730/730PT Series

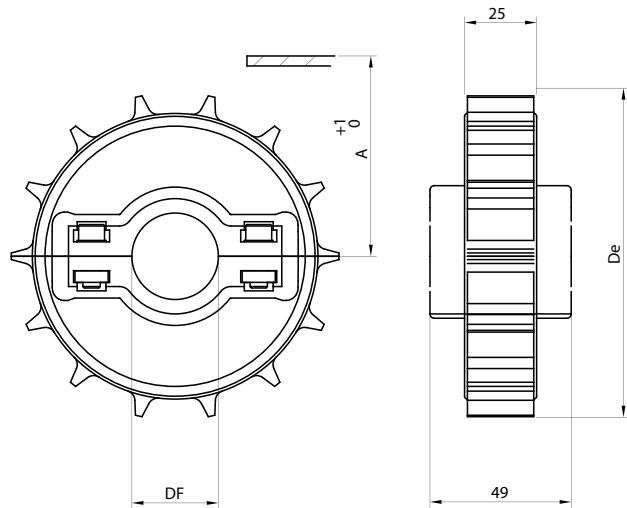
Split sprockets
 material: reinforced polyamide - screw in stainless steel
 UNI 6604-69 key seat

CODE	Z	De	Dp	A	Df
S10H1430	14	113,68	114,18	50,70	30
S10H1435					35
S10H1440					40
S10H1630	16	130,00	130,2	58,70	30
S10H1635					35
S10H1640					40
S10H1645					45
S10H1830	18	144,00	146,3	66,70	30
S10H1835					35
S10H1840					40
S10H1845					45
S10H2030	20	162,00	162,4	74,80	30
S10H2035					35
S10H2040					40
S10H2045					45



Split idler wheels
 material: reinforced polyamide - screw in stainless steel

CODE	Z	De	Dp	A	Df
R10H1430	14	113,68	114,18	50,7	30
R10H1435					35
R10H1440					40
R10H1630	16	130,00	130,2	58,7	30
R10H1635					35
R10H1640					40
R10H1645					45
R10H1830	18	144,00	146,3	66,7	30
R10H1835					35
R10H1840					40
R10H1845					45
R10H2030	20	162,00	162,4	74,8	30
R10H2035					35
R10H2040					40
R10H2045					45



MACHINED SPROCKETS and IDLER WHEELS 600 Series

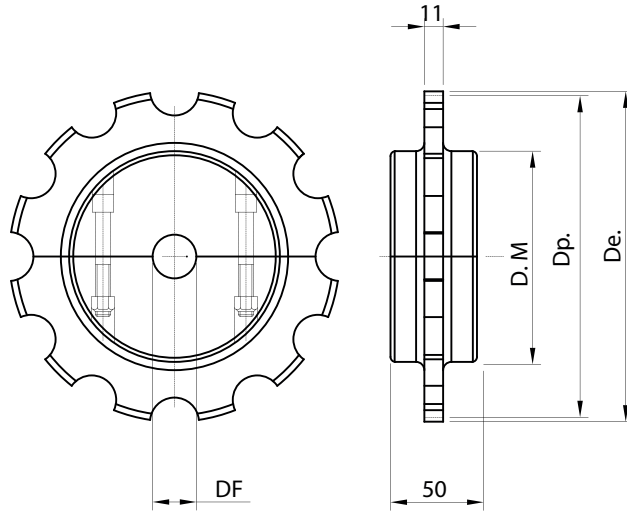
Split sprockets

material: polyamide - screw in stainless steel

UNI 6604-69 key seat

CODE	Z	De	Dp	DM	Df
S11C0820	8	166,0	172,0	105	20*
S11C1020	10	205,0	215,0	105	20*
S11C1220	12	246,0	256,0	105	20*
S11C1420	14	286,0	297,0	105	20*

* plain bore



ACCESSORIES

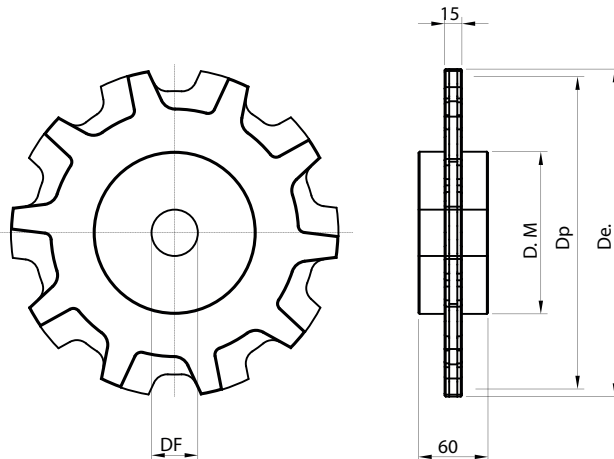
MACHINED SPROCKETS and IDLER WHEELS 1400 Series

Standard sprockets and idler wheels

material: polyamide

CODE	Z	De	Dp	DM	Df
S01D0819	8	8	204	90	19*
S01D1019	10	10	267	140	19*

* plain bore





STRAIGHT GUIDES FOR TAB TYPE CHAINS

780TAB/790TAB/880TAB/881TAB/8811TAB/882TAB/1843TAB/1873TAB/1874TAB series

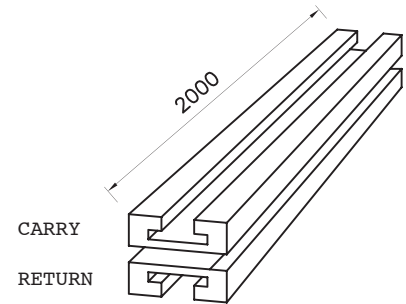
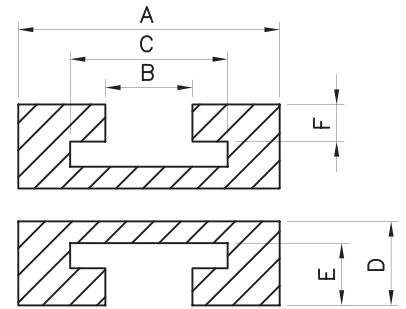
CHAIN TYPE	WIDTH	GUIDE CODE	A	B	C	D	E	F
880TAB K325	82,5	ST182100	100	45	67	25	18	9,5
881TAB K325								
8811TAB K325								
780TAB K330	83,8	ST182100	100					
790TAB K330								
880TAB K330								
880TAB K450	114,3	ST111100	130					
881TAB K450								
8811TAB K450								
880TAB K750	190,5	ST119100	200					
881TAB K750								
8811TAB K750								

882TAB K450	114,3	ST211100	130	60	84	30	24	15
882TAB K750	190,5	ST219100	200					
882TAB K1000	254	ST225100	270					
882TAB K1200	304,8	ST230100	320					

1843 T K125	31,8	ST532100	50	22,5	35	25	17	9,5
1843 T K200	50,8	ST551100	70	22,3				
1843 T K325	82,5	ST582100	100	22,3				

1873/1874 T K325	82,5	ST482100	100	35	70	35	29	19
1873/1874 T K450	114,3	ST411100	130					
1873/1874 T K600	152	ST415100	170					
1873/1874 T K750	190,5	ST419100	200					
1873/1874 T K1000	254	ST425100	270					
1873/1874 T K1200	304,8	ST430100	320					

Supply: 1 piece; carry return sections and return plates are supplied separately.



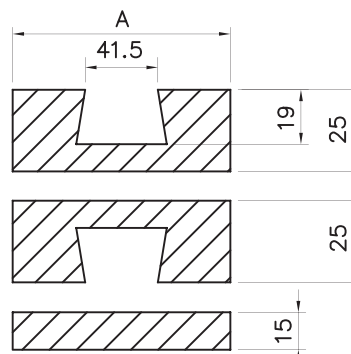
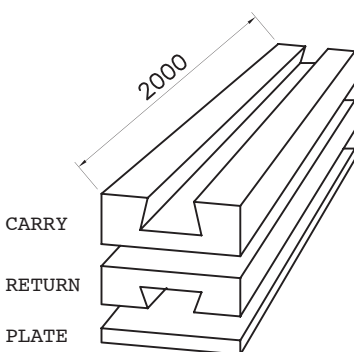
STRAIGHT GUIDES FOR BEVEL 8° TYPE CHAINS

879/880/881/8811/882 Series

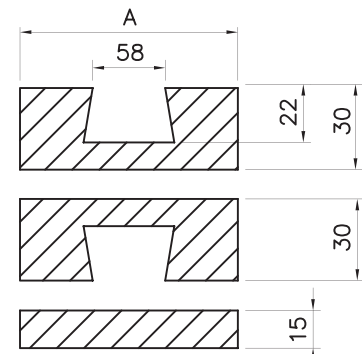
CHAIN TYPE	WIDTH	GUIDE CODE	RET. PLATE CODE	A
880 - K325	82.5	SB182100	RB182100	100
881 - K325				
8811 - K325				
880 - K450	114.3	SB188100	RB188100	130
881 - K450				
8811 - K450				
880 - K750	190.5	SB119100	RB119100	200
881 - K750				
8811 - K750				

882 - K450	114.3	SB211100	RB211100	130
882 - K750	190.5	SB219100	RB219100	200
882 - K1000	254.0	SB225100	RB225100	270

Supply: 1 piece; carry return sections and return plates are supplied separately.



880/881/881 BEVEL



882 BEVEL

ALWAYS CHECK THE A DIMENSION



® MAGRIS s.r.l.

via Vanizza 10 (z.i. Sarano) 31025 S. Lucia di Piave TV - Italy

tel +39 0438 460226 / fax +39 0438 701843

e-mail magris@magris.com

www.magris.com

